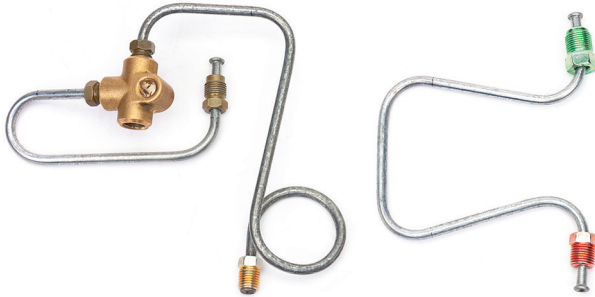


MM Hydroboost Brake Line Adapter Kit (MMBAK-29)



This kit was designed for use with the following:

- 1987-1993 Mustang
- 1999-2004 Mustang Hydroboost
- 1999-2004 Mustang traction control master cylinder

Read all instructions before beginning work. Following instructions in the proper sequence will ensure the best and easiest installation.

Thank you for purchasing this Maximum Motorsports' Mustang Brake Line Kit for the MM Hydroboost Conversion.

This kit is the result of careful design and manufacturing to ensure as easy an installation as possible. Even so, installation can still be challenging, as the production tolerances of Fox Mustangs are notoriously sloppy. In other words, while we love them, the cars weren't built to standards that MM deems precise. If you're into Fox bodies, you probably already know about this drawback in your favorite car.

When the MM Engineering Team installed our prototype Hydroboost Conversion Kit into several different Mustangs, they found significant tolerances that affected fitment. This discovery led to our engineers designing unique brake hard lines to make adjustment and alignment during installation as easy (and precise) as possible.

During installation of this kit, expect to make minor adjustments in the bends to align the tube nuts with the ports of your master cylinder and the brake proportioning valve (or use MM's Brake Proportioning Valve Eliminator Kit: MMBAK-6).

Brake hard lines are made from special tubing that's quite forgiving. It can be bent and straightened repeatedly by hand without damage. With our DIY customers in mind, MM created these brake lines with multiple bends separated by straight sections to allow adjusting each line to fit any situation.

The goal is to align the tube nut on each line end with the port it threads into. It's easy to do this, because there are more bends than necessary to position the nuts. The entire line acts like an accordion; each bend only needs to be adjusted by a very small amount to align the tube nuts, so no significant change needs to be made to any one individual bend.

Required Tools

- Line Nut Wrench Set
- Brake Bleeder
- Basic Hand Tools

Required Supplemental Items

- MM Hydroboost Conversion Kit
- Mustang Hydroboost
- Mustang Master Cylinder
- Brake Fluid

Installation Time

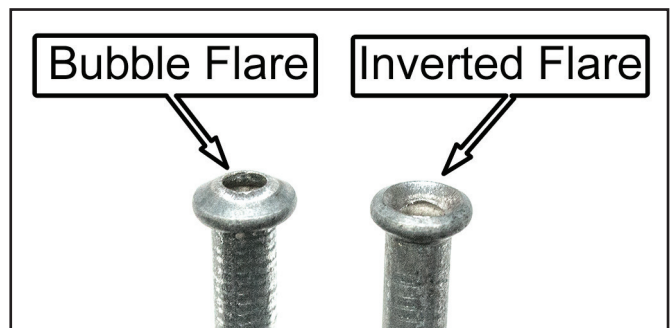
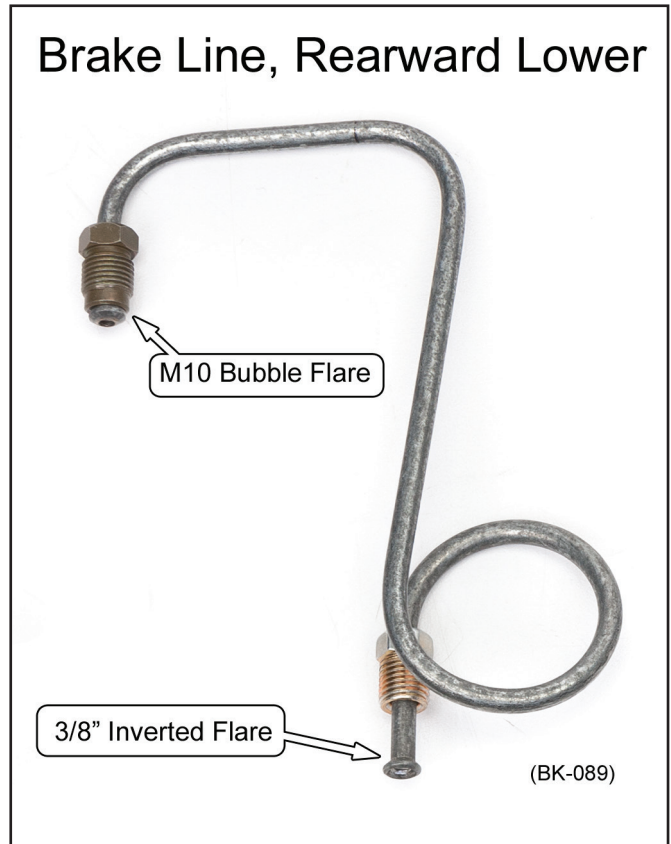
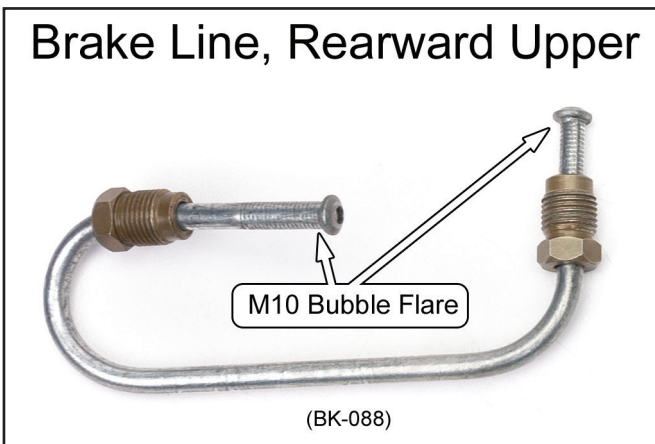
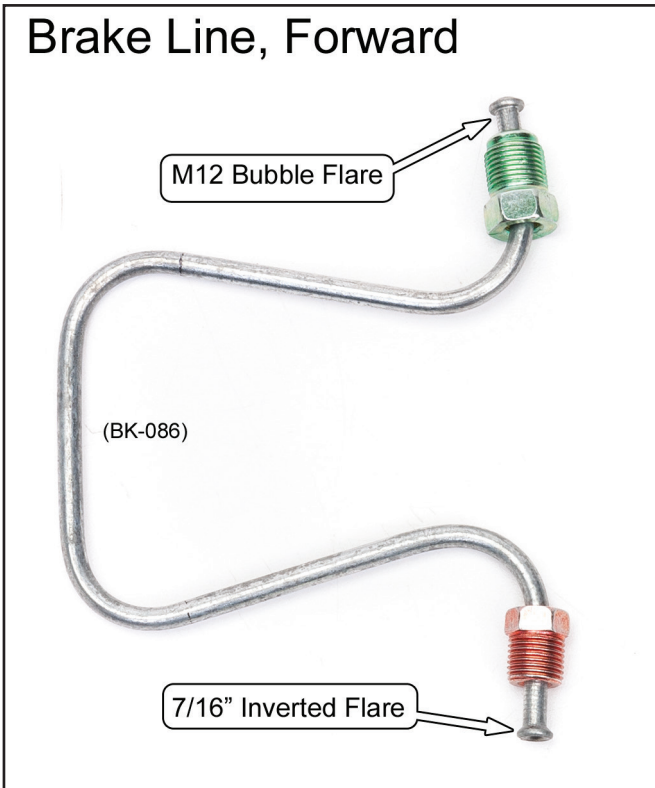
Shop: 0.75 Hours

Home Mechanic: 1.5 Hours

This Kit Contains

Description	QTY
Brake Line, Forward (BK-086)	1
Brake Line, Rearward Upper (BK-088)	1
Brake Line, Rearward Lower (BK-089)	1
Tee Fitting (BK-TEE)	1

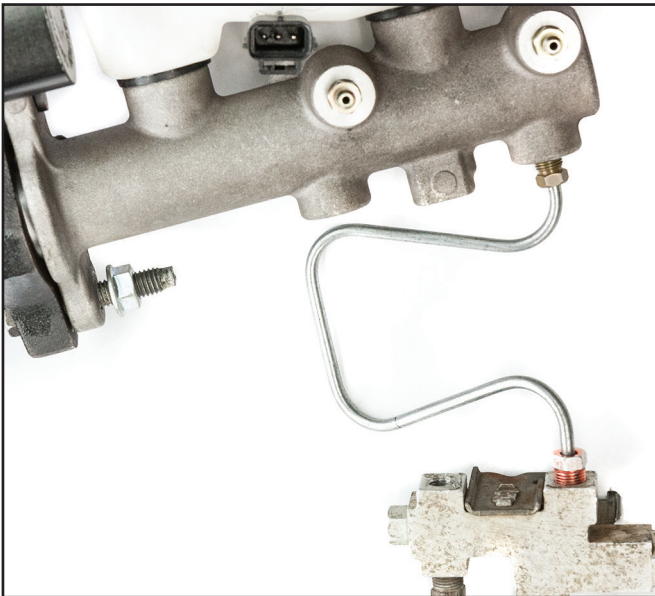
Component Identification



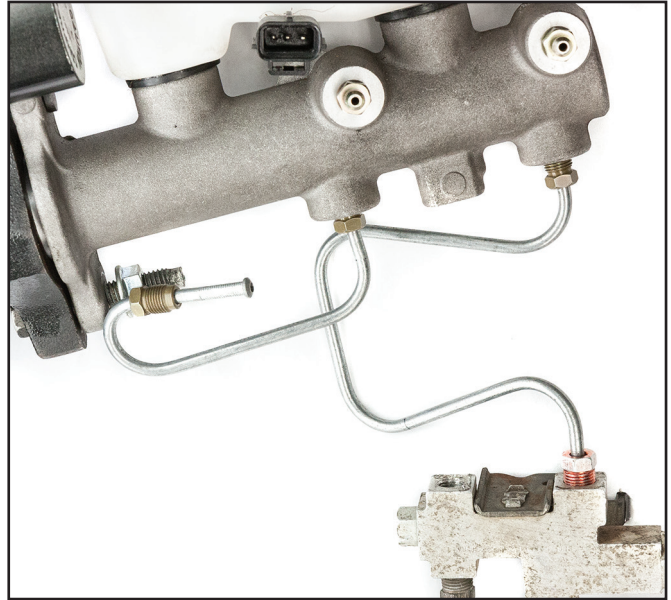
Installation

NOTE: Loosen both the master cylinder and the proportioning valve to ease installation of the lines. While installing the lines it will be necessary to move the master cylinder, the prop valve, and the lines around while trying to line up the fittings.

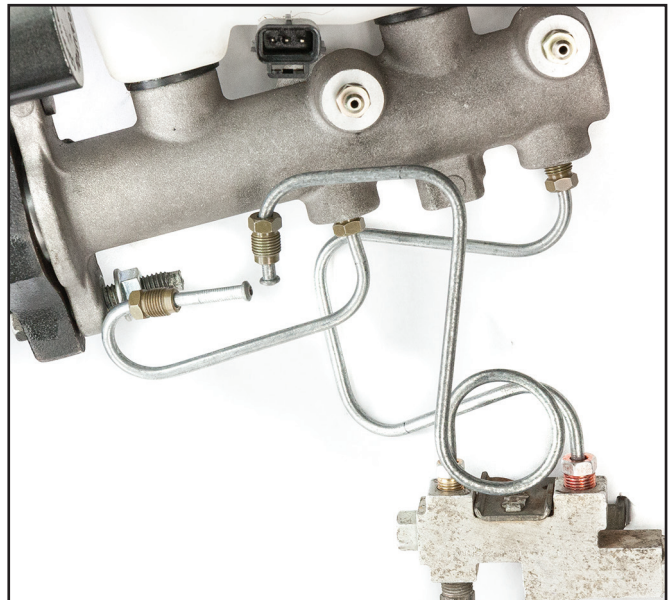
1. Install the forward line by threading the M12 bubble flare fitting into the master cylinder. Thread in only a few turns, do not fully seat it. Do not tighten.
2. Then install the 7/16" inverted flare fitting into the proportioning valve. Thread in only a few turns, do not fully seat it. Do not tighten.
3. The line should sit to the outboard side of the master cylinder, almost touching the strut tower, so it doesn't get in the way of the other line.



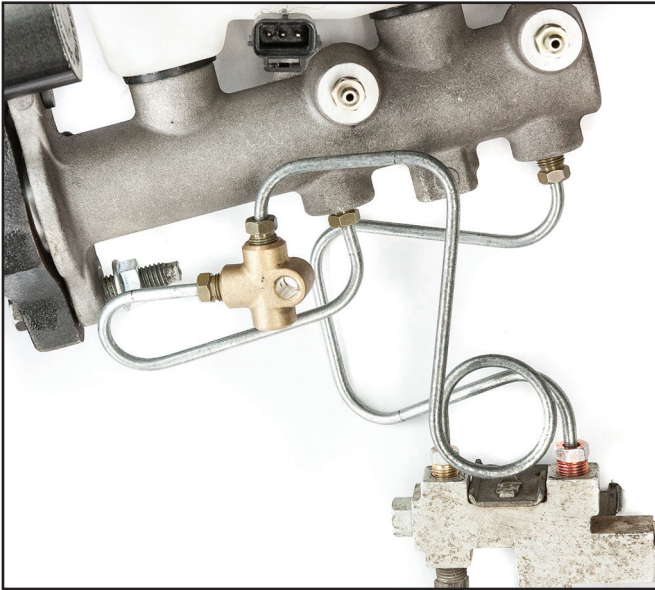
4. Install the rearward upper line into the master cylinder as shown below. Thread in only a few turns, do not fully seat it. Do not tighten.



5. Install the rearward lower line by thread the 3/8" fitting into the proportioning valve. Thread in only a few turns, do not fully seat it. Do not tighten.

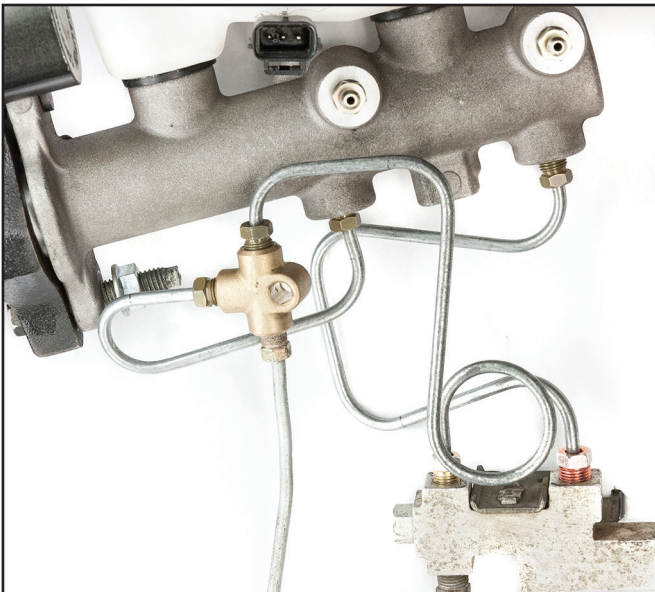


6. Install the tee fitting between the upper and lower lines, with the unused port pointing down.



7. Install the brake line that was once installed into the bottom port of the original master cylinder into the bottom port of the tee fitting. Bend this line by hand so it lines up with the bottom port of the tee fitting.

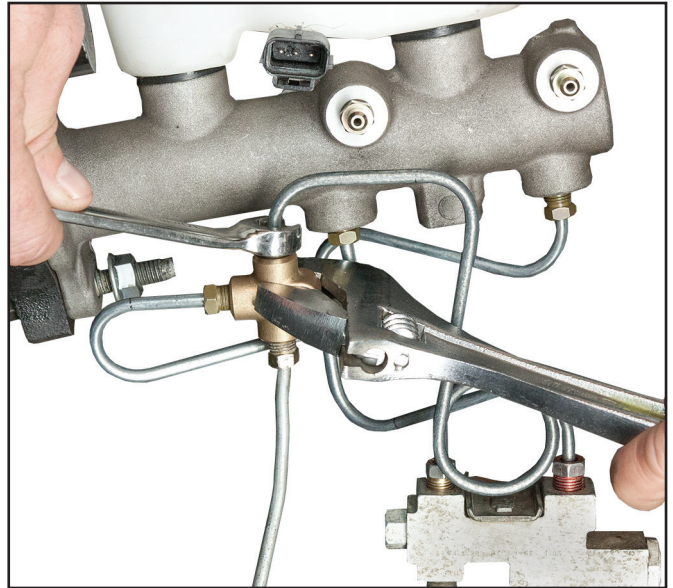
NOTE: The brake line is easy to bend by hand, just take care not to sharply bend or kink the line.



8. Tighten the master cylinder to hydroboost hardware to 19 lb-ft.
9. Tighten the proportioning valve to strut tower hardware to 11 lb-ft.

10. Tighten all brake line fittings to 13 lb-ft.

NOTE: When tightening the lines connected to the tee fitting, hold the tee with a wrench to prevent lines from twisting.



11. Bleed brakes in accordance with factory manual, starting with the bleeders on the master cylinder.