

Spec Iron HVT Strut Coil-Over Kit (Mm5CO-9)



Read all instructions before beginning work. Following instructions in the proper sequence will ensure the best and easiest installation.

Required Tools

- Standard assortment of hand tools
- Torque wrench

Required Supplemental Items

- Mm5CC-7, Mm5CC-5, or Mm5CC-1 Caster Camber Plate Kit
- HVT Spec Iron Struts with 2-1/2" Lower Spring Perch
- 2-1/2" Diameter Coil-over Springs
- Wheel bearing grease

Installation Time

Shop: 1.0 Hours

Home Mechanic: 1.5 Hours

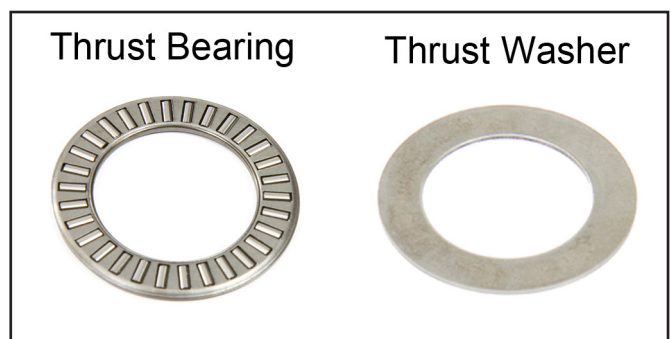
Supplemental Installation Notes

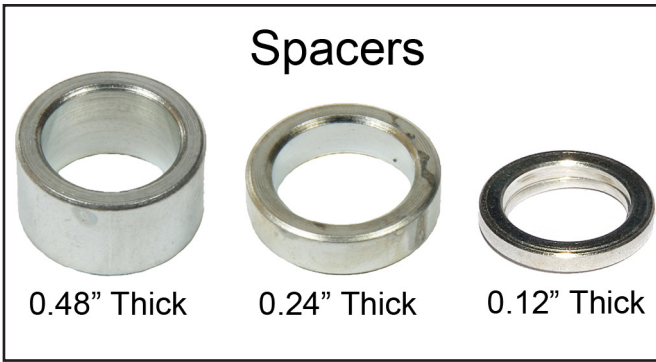
- This kit is specifically designed for the HVT strut used on 2005-14 Mustangs in the NASA Spec Iron Series.

This Kit Contains

Description	QTY
Upper Spring Perch (CO-004-D)	2
Thrust Cone (CO-128)	2
Spacer, 0.48" Long (CC-420-B)	2
Spacer, 0.24" Long (CO-006-B)	2
Spacer, 0.12" Long (CO-007-B)	2
Metric Flat Washer	2
Thrust Washer	4
Thrust Bearing	2
O-ring	2
Installation Instructions	1

Component Identification



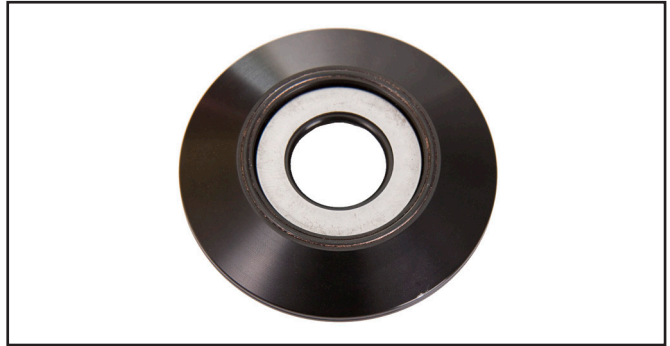


Preparation

1. Take one of the provided upper spring perches and place it on a flat surface.
2. Apply a small amount of wheel bearing grease to one of the o-rings and insert it into the small machined groove on top of the spring perch.



3. Place one of the thrust washers into counterbore on top of the spring perch.



4. Apply a liberal amount of grease to one of the thrust bearings and place it into the counterbore next.



5. Place a second thrust washer into the counterbore, on top of the thrust bearing.

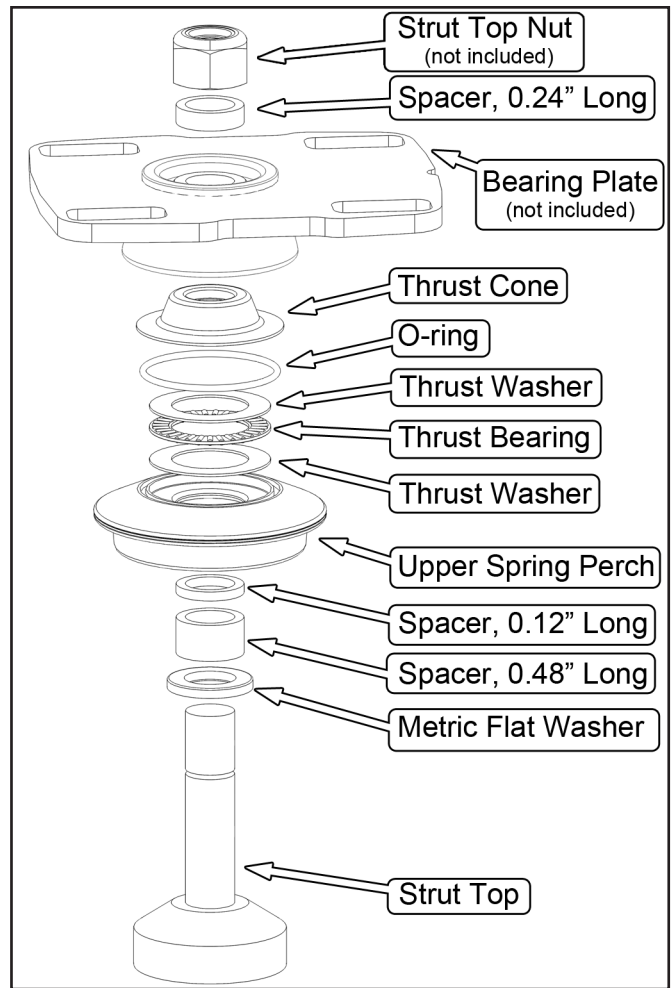


6. Repeat Steps 1-5 for the remaining spring perch.

Coil-over Assembly

7. If not already installed, verify that a 2-1/2" diameter lower spring perch has been threaded onto the HVT strut housing.
8. Install the desired rate 2-1/2" diameter spring onto the strut housing.
9. Place the following items onto the HVT strut shaft in the order listed:
 - Metric Flat Washer
 - Spacer, 0.48" Long
 - Spacer, 0.12" Long
10. Next, place one of the spring perch assemblies onto the strut shaft.
11. Install one of the provided thrust cones onto the strut shaft.
12. Install one of the bearing plates onto the strut shaft.

NOTE: If using a Mm5CC-1 or Mm5CC-5 Caster Camber Plate, remove any reducers/spacers that may be present in the spherical bearing.
13. Install one of the 0.24" long spacers on the strut shaft.
14. Install the strut top nut and tighten to the manufacturer's specification.
15. Verify that the spring perch freely rotates. If not, verify that all of the components have been installed in the correct order shown in the exploded diagram.



16. Repeat Steps 7-15 for the remaining strut.

Installation

17. Reference the "Strut Installation" section of the Mm5CC-7 consumer instruction to complete the installation.